



DBS721, DBS729

Cerberus® PRO

Sounder interbase, Sounder beacon interbase



For the automatic addressable detector bus C-NET

-
- **Sounder interbase DBS721 and sounder beacon interbase DBS729**
 - 11 selectable tones, 2 programmable activation levels
 - Sound intensity up to 89 dBA, adjustable
 - Compatible to the FD720 addressable point detectors
 - Power supply and communication via C-NET
 - **Sounder beacon interbase DBS729 only**
 - Red LED's: luminous intensity adjustable – 3 programmable levels (2 flashing modes)

Characteristics

- **Environmental**

- ecologically processing
- recyclable materials
- electronic und synthetic material simply separable

- **Characteristics DBS721 / DBS729**

- sound level and sounds adjustable, sounds are synchronized with all alarm devices
- no auxiliary power supply required; power is supplied via C-NET
- very low operating current
- monitoring of device status
- space for auxiliary terminals
- protected electronics, high-quality components
- integrated short-circuit isolator

- **Characteristics DBS729 only**

- Red LED's: luminous intensity and flashing mode adjustable

DBS721 Sounder interbase



Function

- The sounder interbase serves for acoustic alarming in the addressed FS720 fire detection system.
- The sounder interbase has its own address and can be configured freely with no dependence from its associated detector.
- compatible with all point detectors of the series Cerberus PRO FD720 (detectors see product data sheet A6V10202198)

Application

- hotel rooms
- hospital rooms
- nursing homes, living rooms and lounges

DBS729 Sounder beacon interbase



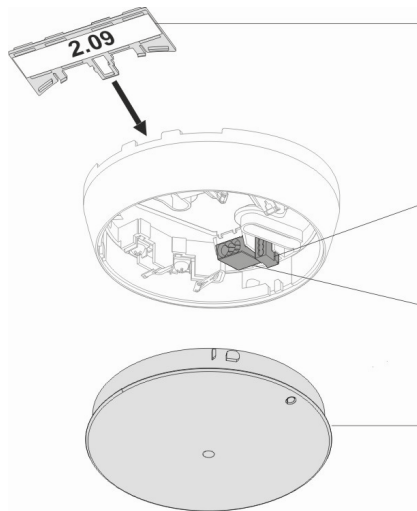
Function

- The sounder beacon interbase has the same functionality as DBS721. Additionally red LED's are flashing in case of alarm. The configuration of the interbase DBS729 allows in addition an alarming in the addressed FS720 fire system

Application

- hotel rooms
- hospital rooms
- nursing homes, living rooms and lounges

Accessories



Designation plate FDBZ291

– to identify the location address

Micro terminal DBZ1190-AA

– for conductors of max. 0.5 mm²

Connection terminal DBZ1190-AB

for conductors of max. 2.5 mm²

Blanking plate BP720: if no detector is inserted the blanking plate provides a smooth protection.

Detector locking device LP720

– to protect the detector against theft

Details see detector product data sheet A6V10202198

Installation DBS721 / DBS729

- The interbase DBS721 or DBS729 and the detector compose a single unit, which already has a base (DB720 or DB721) and is mounted on ceilings.
- for recess supply wiring
- for surface supply wiring, remove the corresponding breakouts in the base for cable diameter up to max. Ø8 mm

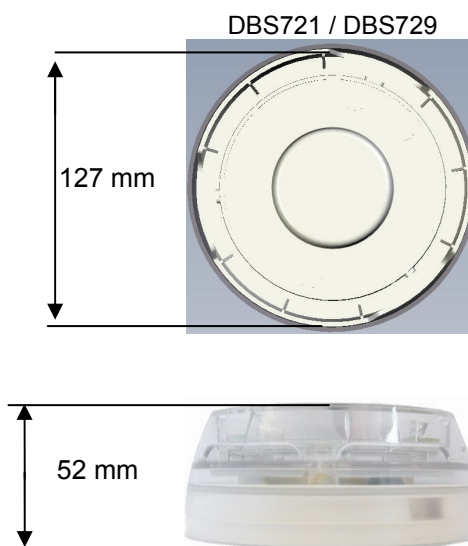
only use with recess supply wiring



DBS721 or DBS729

For all point detectors designed for Cerberus PRO and fitting to the DB720 and DB721 base (i.e. OP720, OH720 HI720, HI722...:)

Dimensions



Technical data

	DBS721	DBS729
Operating voltage	DC 12... 33 V	DC 12... 33 V
Operating current (quiescent)	250 µA	250 µA
– Sound activated	3.5 mA	3.5 mA
– Light activated	–	1.5/4.0/6.5 mA (low/mid/high)
– Light and sound activated	–	5/7.5/10.5 mA (low/mid/high)
Number of sounds	11 2 activation levels 3 sound intensities (1 alarm, 2 sounds for test)	11 2 activation levels 3 sound intensities (1 alarm, 2 sounds for test)
Sound level (alarm level)	82... 89 dBA	82... 89 dBA
Luminous intensity	–	0.7 ... 3.8 cd
Number of luminous intensity levels	–	3 levels and 2 flashing modes (not available for all panels and SW versions)
Operating temperature	-25... +55 °C	-25... +55 °C
Storage temperature	-30... +75 °C	-30... +75 °C
Humidity	≤95 % rel.	≤95 % rel.
Communication protocol	C-NET	C-NET
Connection terminals	0.2... 1.6 mm ²	0.2... 1.6 mm ²
Color	White ~RAL9010 / translucent	White ~RAL9010 / translucent
Protection category EN60529 / IEC529 with	IP21	IP21
– Base DB720 or DB721	–	–
– Detector base sealing RS720	IP21	IP21
Standards	EN 54-3 Type A, EN 54-17	EN 54-3 Type S, EN 54-17
– Approval VdS / LPCB	G211083 / request	G211084 / request
System compatibility C-NET		FC720
QS standards	Siemens Standard SN 36350	

DBS721

CE 0786
Siemens Schweiz AG, CH-6301 Zug Date: see manufacturing date on the product 0786-CPD-21100
EN54-3, EN54-17 Sounder interbase, Safety in case of fire DBS721 Technical data see Doc. A6V10320090

DBS729

CE 0786
Siemens Schweiz AG, CH-6301 Zug Date: see manufacturing date on the product 0786-CPD-21101
EN54-3, EN54-17 Sounder beacon interbase, Safety in case of fire DBS729 Technical data see Doc. A6V10320090

Details for ordering

	Type	Part no	Designation	Weight
Sounder base	DBS721	S54372-F13-A1	Sounder interbase	0.225 kg
	DBS729	S54372-F14-A1	Sounder beacon interbase	0.225 kg
	LP720	S54319-F9-A1	Detector locking device (2 hexagonal key, 100 hexagonal socket pins M3 x 12)	0.040 kg
Accessories	BP720	S54372-B12-A1	Blanking plate	0.027 kg
	DBZ1190-AA	BPZ:4677080001	Micro terminal 0.28... 0.5 mm ²	0.001 kg
	DBZ1190-AB	BPZ:4942340001	Connection terminal 1.0... 2.5 mm ²	0.007 kg
	FDBZ291	A5Q00002621	Designation plate	0.026 kg

Details see equipment overview A6V10225323